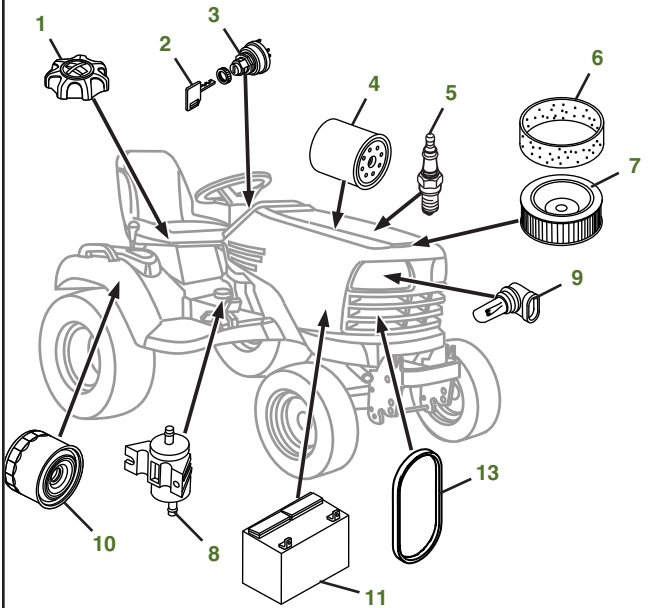
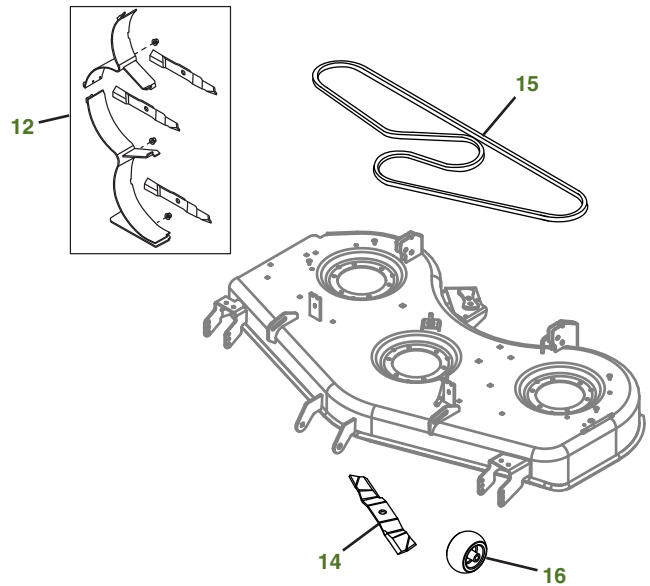


MAINTENANCE REMINDER SHEET

X728 with 60D DECK



Tractor S/N



Deck S/N

Key	Part No.	Description
1	AM137724	FUEL CAP
2	AM131841	KEY
3	TCA22740	IGNITION SWITCH
4	AM107423	ENGINE OIL FILTER
5	M138938	SPARK PLUG
6	M148207	ENGINE AIR FILTER-FOAM
7	M152049	ENGINE AIR FILTER-PAPER
8	AM117584	FUEL FILTER
9	R136239	HEADLIGHT BULB
10	AM131054	TRANSAXLE FILTER
11	TY25221	BATTERY

Key	Part No.	Description
12	TCB10953	MULCH KIT
13	M147344	FAN BELT
	M153381	FAN BELT (OPTIONAL)
14	TCU15881	BLADE - HI LIFT -050000
	M163983	BLADE - HI LIFT 050000-
	M168223	BLADE - MULCHING
15	M120381	BELT -030000
	M163620	BELT - 030000-
16	AM136720	KIT - GAGE WHEEL (S/N -030000)
	TCU18744	GAGE WHEEL (S/N 030001-)

Parts Needed in First 200 Hours of Operation

Qty	Part No	Item	Qty or Capacity	Change Interval In Hours
6	TY22029	Engine Oil JD Plus-50™ 10W-30	1.8 L (1.9 qt)	8/100/200
3	AM107423	Engine Oil Filter	1	8/100/200
14	TY22035	Low Viscosity Hy-Gard™	6.6 L (7 qt)	50/200
2	AM131054	Transaxle Filter	1	50/200
2	AM117584	Fuel Filter	1	50/200
2	M138938	Spark Plug	2	200
1	M148207	Engine Air Filter-Foam	1	200
1	M152049	Engine Air Filter-Paper	1	200
1	TY6341	John Deere Multi-Purpose SD Polyurea Grease		As Needed

"As Needed" Parts

Qty	Part No	Item
1	AM136872	Mower Deck Leveling Gauge
1	TY26288	Grease Gun

Home Maintenance Kit

Unit	Kit Number
X728	LG244

CLICK PART NUMBER TO BUY